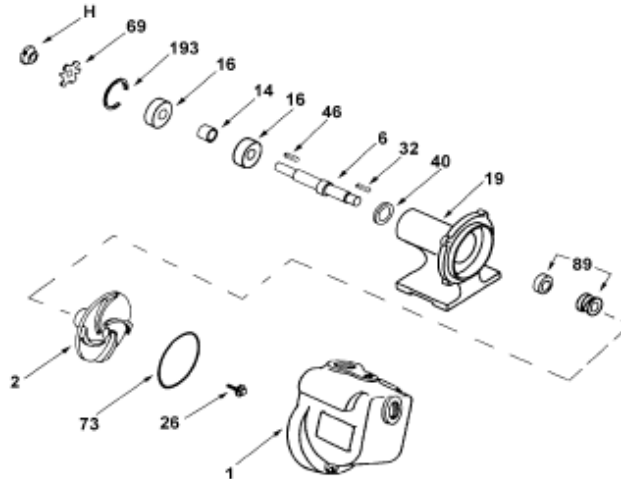


Scot FPH 51, 61, 73, 74

FPH 74 • Iron • 5/8" Shaft • Unit B



E1014

KEY NO.	PART NAME	FPH 74
1	CASE, IRON, 2 x 2 NPT	130.000.239X
2	IMPELLER, 5/8" KEYED, SEMI-OPEN, 4.38" DIAMETER: IRON	131.000.266
26*	IMPELLER RETAINER	118.000.136
73*	GASKET, CASE	116.000.141
89*	3/4" SEALS: TYPE 6, VN-CARB/CM	101.000.115
	BEARING FRAME ASS'Y CONSISTING OF:	UNIT B 118.000.420X
6+	SHAFT, ASS'Y	135.000.231X
14*	SPACER	110.000.352
16*	BEARING (2 REQ'D)	103.000.158
19	FRAME	132.000.295
32+*	KEY	102.000.137
40*	FLINGER	137.000.629
46+	KEY	102.000.256
69	LOCKWASHER	104.000.242
193	RETAINER	102.000.105
H	LOCKNUT	105.000.460
-	REPAIR KITS: VN-CARB/CM SEAL	118.000.351

* DENOTES COMPONENTS INCLUDED IN REPAIR KIT.
+ DENOTES COMPONENTS INCLUDED IN SHAFT ASSEMBLY.

CASES

MODEL NO.	SIZE (NPT)		PART NO.
	SUCT	DISCH	
FPH 51	1.5	1.5	130.000.177X
FPH 61	2	2	130.000.211X
FPH 73	1.5	1.5	*130.000.142X
FPH 74	2	2	130.000.239X

* Also Requires (not shown):
136.000.138 Flange
118.000.261 Flapper